

The Serpent Cobra-B TE Team Edition includes the shown new parts as standard in the kit, and also has light alu shocktowers FR and RR, hard coated shock-caps FR and RR and the lower rear wing as standard.

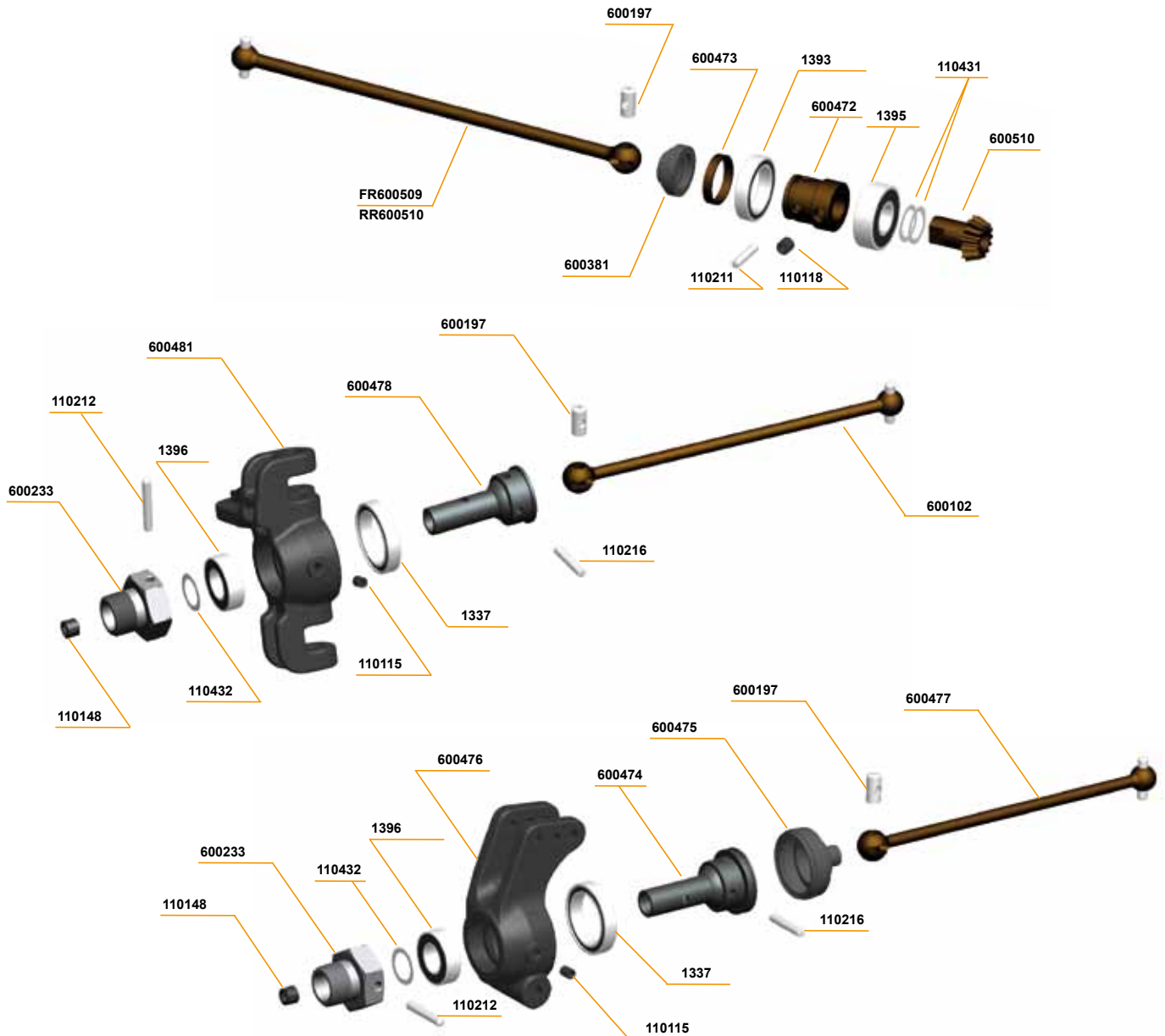
The earlier Serpent Cobra buggies can be updated with below parts as well.  
This sheet shows the following upgrades

- new transmission with larger bearings and new system diff-coupler
- larger bearings in up-rights (larger bearings, shafts)
- large bearings in steeringblocks (larger bearings, shafts)

The sheet shows the corresponding steps in the original manual, which are replaced with these new ones.  
Below list shows the upgrade sets and new spare parts for same.

**Parts-list for Team Edition / Upgrades**

1395	Ballbearing 8x19x6 SS (2)	600473	Gear coupler sleeve (2)	600503	Steeringblock-wheelaxle set 811 V2
1396	Ballbearing 8x16x5 SS (2)	600474	Wheelaxle RR V2 (2)	600504	Gear coupler set FR 811 V3
600284	Shocktower FR alu light	600475	Wheelaxle boot RR (2)	600505	Gear coupler set RR 811 V3
600285	Shocktower RR alu light	600476	Upright L+R V2	600509	Driveshaft center front 811 V3
600347	Shock top 7075 hard anodized (2)	600477	Driveshaft RR V2 (2)	600510	Driveshaft center rear 811 V3
600439	Wing white low 811	600478	Wheelaxle FR V2 (2)	600514	Diff pinion 10T 811 V3
600472	Gear coupler V3	600502	Upright set V2 811		

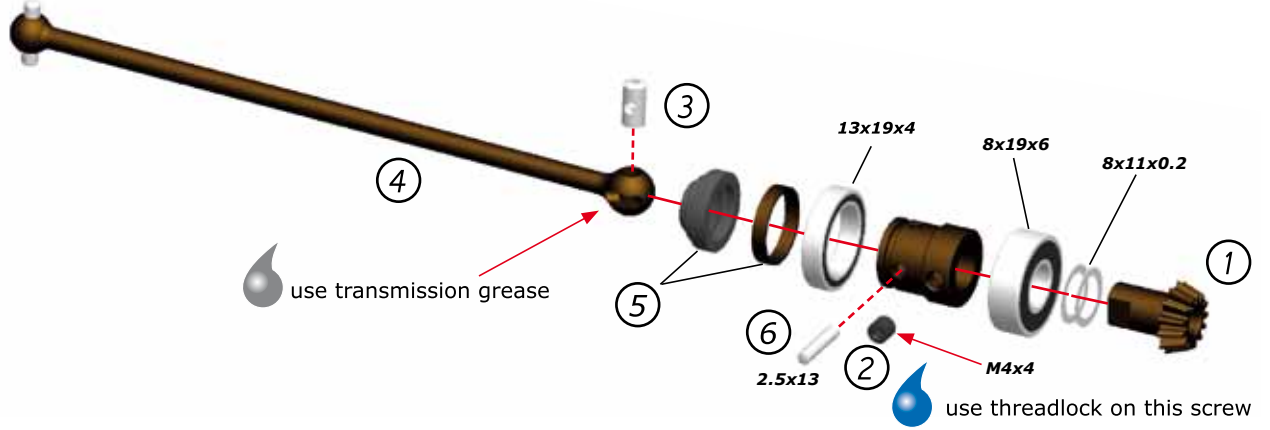


A

11  
bag 2

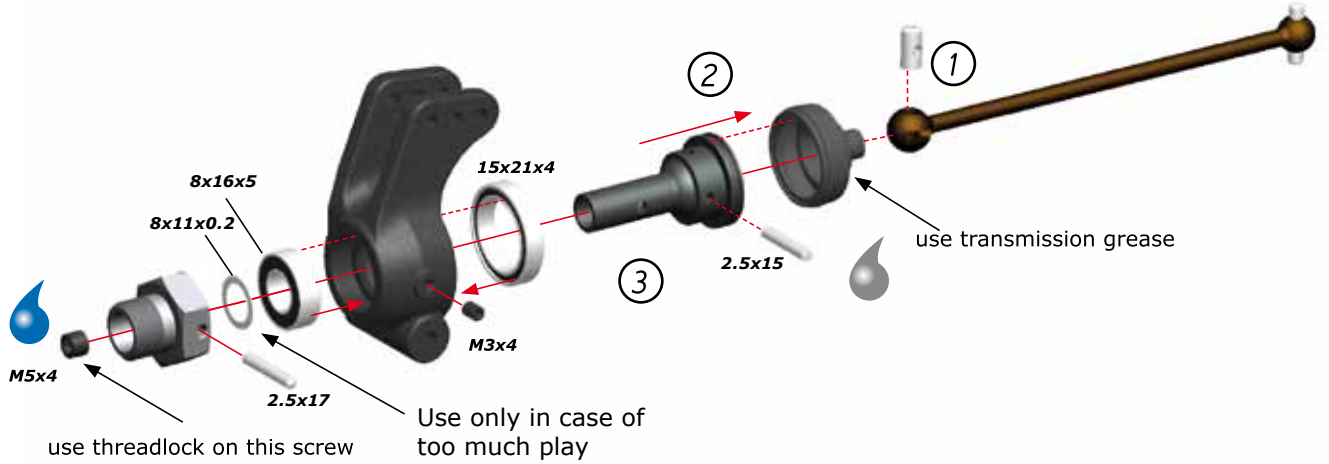
A

22  
bag 5



A

18A  
bag 4



A

28  
bag 6

